

MAC Pulse Valve PV12 Series



PV12 Series

The MAC Pulse Valve series is designed to be a direct drop-in replacement for existing pulse technology. The MAC solution utilizes a long life, bonded-spool design, instead of the traditional diaphragm style. MAC also uses a balanced pilot valve that isolates the solenoid from airline contamination. Available with integral solenoid pilot as well as bleed pilot configurations.

Direct Drop-in

The MAC Pulse Valve is available with various adapter options. These adapter options allow the MAC valve to directly replace the diaphragm technology with our bonded spool technology without disturbing plumbing. The MAC bleed configuration works with existing remotely located solenoids.

Harsh Environment Compatible

An aluminum die-cast body, Viton® seals and an environmentally protected solenoid are standard features. These materials allow for a wide standard temperature rating and high degree of chemical resistance.

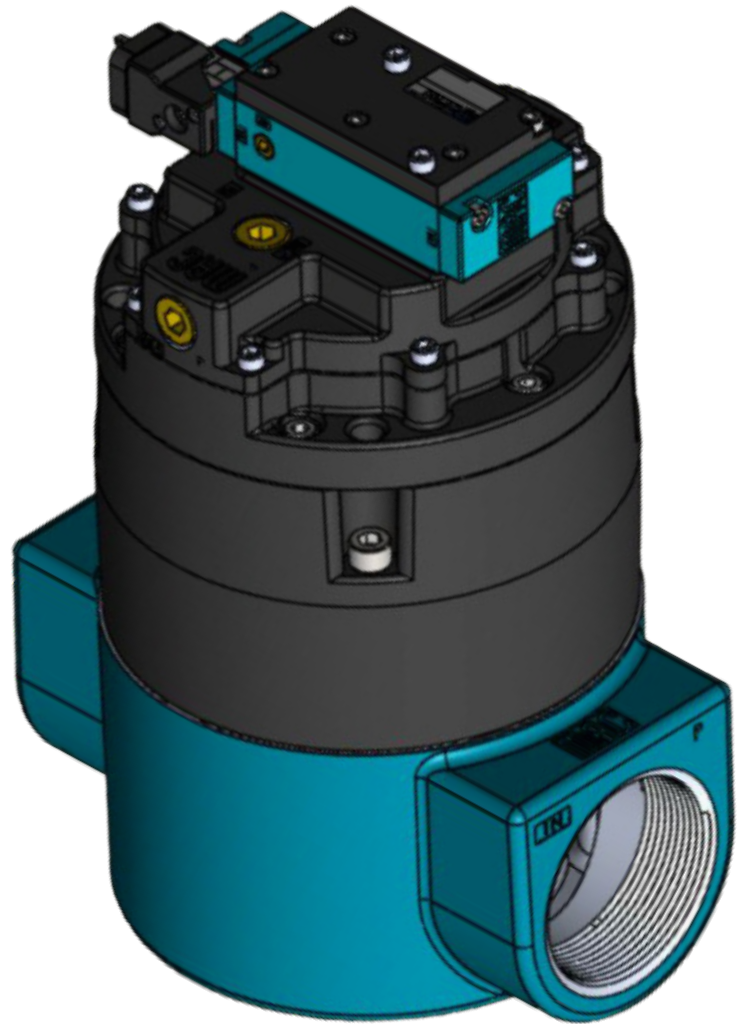
Maintenance

Lower cost of ownership through reduction in downtime due to high reliability. When necessary, maintenance is simplified with available spool kits.

Repair Kits

Kit

Viton® K-PV035-05



Product Characteristics and Performance

Flow	Temp. Range Nitrile	Temp Range Viton	Pressure Range
175 Cv	0°F - 140°F -18°C - 60°C	-20°F - 230°F -29°C - 110°C	30 - 120 PSI 2.07 - 8.27 bar

MAC Pulse Valve PV12 Series



Integral Pilot **PV12A - XXX - 93P - DXXX - XXX = XXXX**

Remote Bleed **PV12A - XXX - 93P - RBXX = XXXX**

Modifications (see below)

Spool Type	Base Port Size & Thread Type	Int / Ext Pilot	Pilot Type	Remote Bleed
0 Base Only	0 Basic Valve No Base	0 Base Only	P Piped Exh.	11 NPTF threads
A N.C. Main W/Memory Spring Viton® Seals Thru-out	A 2 1/2" NPTF MAC Base 90° B 2 1/2" NPTF MAC Base 180° C 3" NPTF MAC Base 90° D 3" NPTF MAC Base 180° E 2 1/2" BSPPL MAC Base 90° F 2 1/2" BSPPL MAC Base 180° G 3" BSPPL MAC Base 90° H 3" BSPPL MAC Base 180° J 2 1/2" BSPTR MAC Base 90° K 2 1/2" BSPTR MAC Base 180° L 3" BSPTR MAC Base 90° M 3" BSPTR MAC Base 180°	A Internal Pilot B Ext. Pilot NPTF threads C Ext. Pilot BSPPL threads D Ext. Pilot BSPTR threads E Int. Pilot BSPPL threads F Int. Pilot BSPTR threads		14 BSPPL threads 15 BSPTR threads

Solenoid Valve Options

- DXXX - XXX

Voltage	Lead Wire Length	Manual Operator	Electrical Connector
JA 120/60, 110/50 JB 240/60, 220/50 JD 100/60, 100/50, 110/60 DA 24VDC (5.4W) EW 24VDC (8.0W) DB 12VDC (5.4W) DC 12VDC (7.5W)	A 18" B 24" C 36" D 48" E 72" F 96" J External Plug-In Lead	1 Non Locking	BA Grommet BK Grommet w/Diode CM Metal Conduit 1/2" CN Metal Conduit w/Ground 1/2" JA Square Plug-in JB Rectangular Plug-in JC Square Plug-in w/Light JD Rectangular Plug-in w/Light JJ Square Male Only JM Rectangular Male Only KA Mini Plug-in KB Mini Plug-in w/Diode KD Mini Plug-in w/Light KE Mini Plug-in w/Light & Diode KC Mini Plug-in w/LED & Diode KJ Mini Plug-in Male Only KK Mini Plug-in Male Only w/Diode

Pilot Only Options - Bodies and Assemblies

93A-LP0-C0J-HP-RBXX=XXXX (Bleed Pilot Valve)
93A-LP0-C0J-HP-DXXX-XXX=XXXX (Solenoid Pilot Valve)
HPA-RBXX=XXXX (Pilot to RB 93)
HPA-DHXXV-YZZ=XXXX (Pilot to 93)

See options above and modifications below

Modifications - One Selection Required

PVVT Viton Seals

Other MODS available. Consult Factory

Spool and Adapter Kits

S-93002-05 (93 Series Spool Kit)

062220